

DISTRIBUTION & MEASUREMENT EQUIPMENT FOR LOW VOLTAGE NETWORK

Constructive Characteristics

- The product is realized in a plastic cassette module
- Connection is ensured by two conductors with minimal 1mm² section, provided with 5mm² fork type shoes, or other connector type, depends on beneficiary's request.
- The device is permanently connected at differential breaker phase and null terminals, diagonally.
- If network voltage is smaller than device releasing voltage, circuit general state has a big impedance. At growing up phase voltage over releasing value, the circuit come in conduction state and the impedance allows maximal 1A current passing. This is grasped like a fault current which shall release the breaker, so stopping subscriber general derivation supplying.
- The voltage value, when the device changes impedance, is 260...280Vca.
- Current proper consume in repose state must be maximal 1mA.
- Guaranteed minimal time for 1A current circulation through device at overvoltage appearance is 1s.

RS 80770 B

Overvoltage protection device DPS 2

Application

- The product is used for measurement and protection units in single and three-phase derivations equipment, magnetothermic breakers and differential current releaser equipped, reglable or fixed.

Overall Dimensions

- 80x70x16mm for RS 80770A-fixed on rail
- 44x19x16mm for RS 80770B-fixed on conductors

Environmental conditions

- environment like shutted rooms or covered places, protected against sunrays, raining drops or corrosive gases
- environmental temperature range : -25°C...+55°C;
- temperature range for storage and transport : -40°C...+70°C;
- relative air humidity : max.90% la 20°C;
- maximal altitude : 2000 m
- life time : 20 years

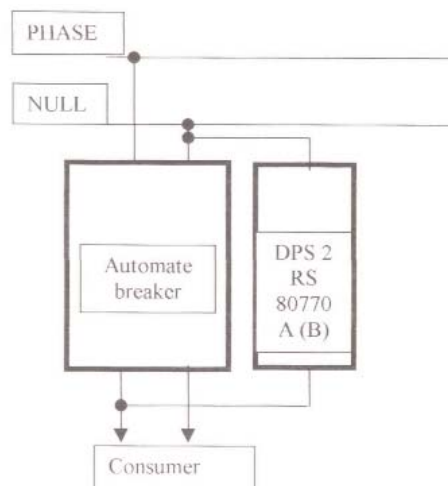
Reference documents

- SR IEC 60755+A1+A2:1995 - General rules for protection devices at residual differential current;
- SR EN 60068-2-1+A1+A2-95, 60068-2-2+A1+A2-97,
- STAS (Romanian Standard) 8393/4-81/A1:90, 8393/18-90, 8393/19-89, 6535-83, 6692-83, 7222-90, 8742-79, 10307-75, 10911-77



Warranty

- 18 months after delivery.



Technical data

■ rating supplying voltage Un	220Vac -15%...+10%
■ rating frequency fn	50Hz ± 5%
■ differential device action voltage Ua	270V ± 10V
■ differential device releasing maximal time td	0,2 sec.
■ maximal absorbed current at action voltage value Ia	1A
■ maximal repose current at supplying network Ir	1mA
■ minimal working time under maximal absorbed current tf	1 sec
■ weight	max. 0.05 Kg
■ lifetime	20 years
■ protection degree	minimal IP 20 (with terminals exception IP 00)