

DISTRIBUTION & MEASUREMENT EQUIPMENT FOR LOW VOLTAGE NETWORK

Application

- The product is intended for the protection and the consumed electric power metering of the three-phase consumers at the voltage of 400/230V.
- Supplementary it can be provided with a single-phase protection and metering circuit at 230V.
- The BMPT - three-phase protection and metering cabinet forms the integral part of the electric power supply installation of three-phase consumers, additionally of a single-phase consumer; it joins in same box the devices for metering the consumed electric power and the consumer's protection at overload, short-circuit, residual current and overvoltage.
- The cabinet makes the connection between supplier's three-phase aerial or underground derivation and the general column of electric power supply of consumer's equipment.

RS 80859 [] []

BMP - Three phase outdoor cabinet for power measurement and protection

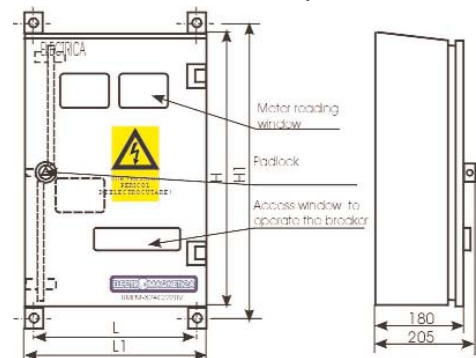
Constructive and working characteristic

- The three-phase electric meter and, at request, the single-phase one that equip the BMPT can be of any type.
- BMPT is built in a metallic box, protection degree IP 54, outside equipped with grounding terminal at which the local ground socket is connected.
- The box is made of OLZn sheet, painted in electrostatic field.
- The three-phase protection and metering cabinet fulfils the following functions: active and reactive electric energy metering, protection against short-circuit, overload and overvoltages of industrial frequency or caused by the break of neutral conductor, protection against electrocution by direct touch of circuits and devices.
- When the protection is operated, BMPT reconnects the power supply of consumer, also in case of electric power theft and failure of inside equipment. The metallic box is equipped with a lock system in three points and can be provided with padlock.
- The product is equipped with transparent windows, resistant to UV radiation for meters reading and a little door of access which permits the subscriber access to operate the breaker, but it does not allow the access inside the box.



Environmental Conditions

- temperature : - 25°C...+ 50°C
- transport and storage temperature : - 33°C...+ 55°C
- relative air humidity : 90 % at 20°C
- maximal altitude : 2000
- mounting place : outdoors
- life time : 20 years

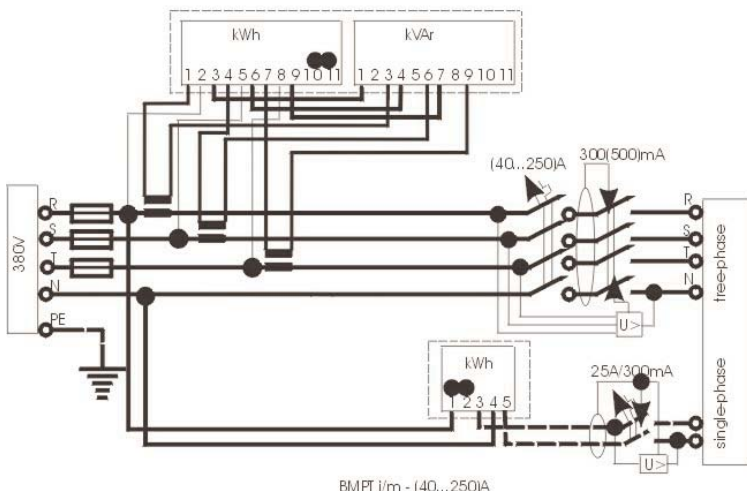
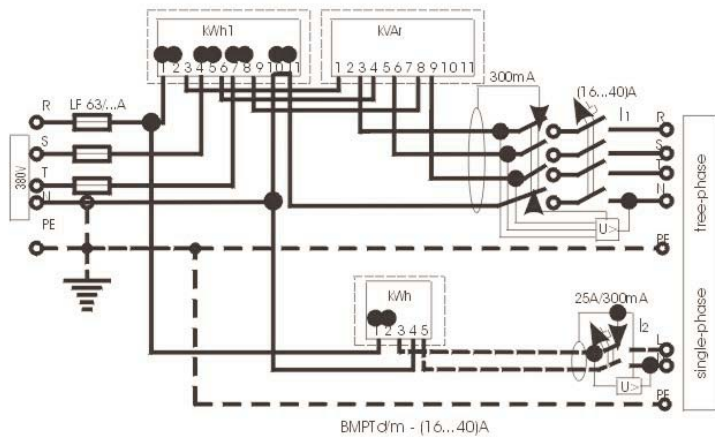
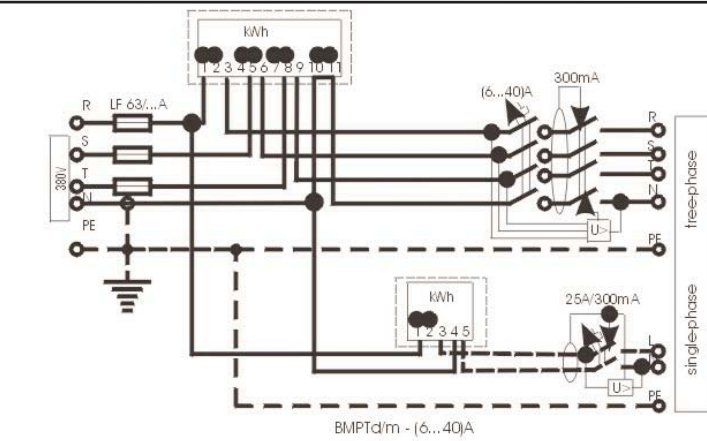


Technical data

■ Rated voltage	400/230Vef.
■ Insulation voltage	660Vc.a.
■ Rated frequency	50Hz
■ Single-phase circuit rated current	25A/300mA or 6...40 A/300 mA
■ Three-phase circuit differential current	300(500)mA
■ Release voltage of overvoltage protection	260...280V
■ disconnection time at overvoltages and neutral break working characteristics of the breaker	< 0.2 s
■ insulation resistance	10 MΩ
■ dielectric rigidity	2000 Vef/50Hz
■ protection degree	IP 54
■ weigh RS80859 A []	18 Kg
RS80859 B []	25 Kg
RS80859 C []	32 Kg
RS80859 D []	40 Kg
■ dimensions RS 80859 A []	480 x 610 x 205
RS 80859 B []	550 x 700 x 205

DISTRIBUTION & MEASUREMENT EQUIPMENT FOR LOW VOLTAGE NETWORK

Outdoor cabinets



No crt	Type	Code	Place for meter	Protection	Observations
1	BMPT d/m-16 (6...16) A	RS 80859 AA	Three-phase watt-hour meter Single-phase watt-hour meter	Three-phase circuit: overvoltage Single-phase circuit: place for meter, unequipped with protections	Three-phase direct reading
2	BMPT d/m-16 (6...16) A	RS 80859 AB	Three-phase watt-hour meter Single-phase watt-hour meter	Three-phase circuit: overvoltage Single-phase circuit: overvoltage	Three-phase direct reading
3	BMPT d/m-40 (16...40) A	RS 80859 BA	Three-phase watt-hour meter Three-phase volt-ampere-hour meter Single-phase watt-hour meter	Three-phase circuit: overvoltage Single-phase circuit: place for meter, unequipped with protections	Three-phase direct reading
4	BMPT d/m-40 (6...16) A	RS 80859 BB		Three-phase circuit: overvoltage Single-phase circuit: overvoltage	Three-phase direct reading
5	BMPT d/m-100 (40...125) A	RS 80859 CA		Three-phase circuit: overvoltage Single-phase circuit: place for meter, unequipped with protections	Three-phase indirect reading
6	BMPT d/m-100 (40...125) A	RS 80859 CB		Three-phase circuit: overvoltage Single-phase circuit: overvoltage	Three-phase indirect reading

