

DISTRIBUTION & MEASUREMENT EQUIPMENT FOR LOW VOLTAGE NETWORK

Application

- The product is intended for equipment of single-phase consumers' connection and protection devices at the voltage of 230 V / 50 Hz .
- The single-phase metering and protection cabinet belongs to electric power supply installation of single-phase consumers; it joins in same enclosure the devices for metering consumed electric power, consumers' protection against overcurrent, short circuit, differential residual current and overvoltage.
- The cabinet makes the connection between single-phase aerial or underground derivation of supplier and single-phase general column of electric power installation of consumer.

Reference documents

- ST 3/1999ELECTRICA
- SR EN ISO 9001-95
- SF 136/2000
- STAS 234-86
- STAS CEI 60947-1-92

RS 80723 B

BPM- single-phase outdoor cabinet for power measurement and protection

Constructive and working characteristics

- The single-phase electrical meter which equips the cabinet can be electronic or induction one, mono or multi tariff, with included or attached change-over clock.
- The metering and protection cabinet fulfils the following functions:the active electric energy metering, protection against short-circuit, overcurrent and differential residual currents, protection against overvoltages of industrial frequency, protection against electrocution by direct touch of circuits and devices.
- In case of protection drive the metering and protection cabinet provides the possibility of consumers power supply reconnection, also provides protection against electric power theft and failure of inside equipment.The case is equipped diagonally with two sealing points.
- The product is made from fireproof plastics and the transparent cover is resistant to the UV radiation.The cabinet is equipped with transparent cover for the reading of meter index. The cover is equipped with a little door allowing the subscriber's access to the automatic breaker but it does not allow the access inside the cabinet between the breaker and the window walls.

Environmental conditions

- operating temperature range: $-30^{\circ}\text{C} \dots +50^{\circ}\text{C}$
- temperature range for storage and transport: $-33^{\circ}\text{C} \dots +50^{\circ}\text{C}$
- relative humidity: max. 90% at 20°C
- maximal altitude: 2000 m
- lifetime: 20 years

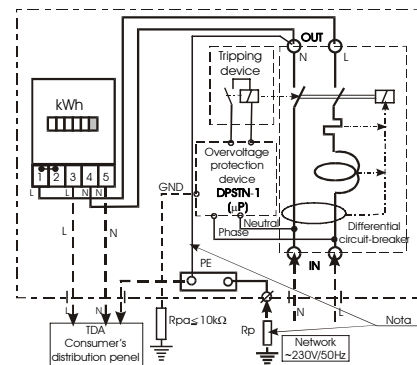
Technical data

■ rating voltage	230 Vef
■ insulation voltage	660 Vc.a.
■ rating frequency	50 Hz
■ rating current	10 A, 16 A, 25 A, 32 A, 40 A
■ differential current	300 mA
■ release voltage at:	
- phase-neutral overvoltage	$\geq 270 \text{ V} \pm 10 \text{ V}$
- neutral - ground residual voltage	$> 50 \text{ V}$
■ disconnection time at overvoltages	$t \leq 0.2 \text{ s}$
■ grounding quality (operation socket) Rpa	$\leq 10 \text{ K}\Omega$
■ breaker operating characteristic	B, C, D
■ insulation resistance	10 M Ω min.
■ dielectric strength	2000 V ef / 50 Hz
■ protection degree	IP 54
■ overall dimensions [L x W x H]	300 x 340 x 190 mm
■ weight (without meter)	1.8 Kg max.



Warranty

- 12 months from installation, but no more than 24 months after delivery.



Note: If there is an individual earth socket (Rp) of consumer the neutral breaker connection (PE) will be removed.