

## RS 80942

### BMP- single phase outdoor cabinet for power measurement and protection

#### Constructive and working characteristics

- The single-phase outdoor cabinet for power measurement and protection consists in a plastic case that encloses the protection devices and the electronic miniature meter for active power with electromechanical counter.
  - The meters, which equip the cabinet, are „C" overall dimensions miniaturized meters, CSMCXXXX Electromagnetica type.
  - The cabinet fulfills the following functions: active energy metering, protection against short-circuit, overcurrent and differential residual current, protection against overvoltages of industrial frequency, protection against residual voltages caused by neutral interruption.
  - The single-phase outdoor cabinet for power measurement and protection provides protection against electrocution by direct touch of circuits and devices.
  - The protection and metering cabinet allows the reconnection of consumer's power supply in case the protections against faults or the protection against electric power theft are operated or in case of inside equipment failure.
  - The cabinet case can be sealed.
  - The case cover is of transparent material to allow the view of meter index.
- The case cover is provided with a little door of access which permits the consumer to action the breaker, but it does not allow the access inside the case between the breaker and the window walls.
  - The case is made of fireproof materials and the parts that allow meter vision are resistant to solar radiation action.
  - The equipment and the protections of consumer's installation are according to the Constructive Versions Table.



#### Warranty

- 12 months from installation, but no more than 24 months after delivery.

#### Technical data

■ rated voltage used	230Vef
■ insulation voltage	660 Vac
■ rated current	32A(6;10;16;20;25;40A on request)
■ rated fault current	300mA (other value on request)*
■ breaker disconnection voltage	≥ (270±10)V**
■ residual voltage (in neutral)of breaker disconnection	≥ 50V***
■ disconnection time at overvoltages or residual voltage	≤ 0.2s**
■ supplementary (technological) socket resistance	≤ 10 kW***
<b>■ technical data of the breaker</b>	
- operating characteristics	B,C,D
- breaking capacity	≥6kA
- mechanical wear resistance	30000 operations
- electric wear resistance	8000 operations
■ diameter of protection pipe (for power supply column of consumer's distribution panel)	φ25mm
■ protection degree	IP 54
■ class of protection against electrocution	1
■ overall dimensions and mounting dimensions	270 x 220 x 230 mm
■ net weight of meter	2.5 kg max.

#### Note

- \* only at cabinets equipped with automatic fuse ( differential) breaker
- \*\* only at cabinets equipped with DPS, RS 80770 or DPSTN-1, RS 80770A
- \*\*\* only at cabinets equipped with DPSTN-1, RS 80770A.

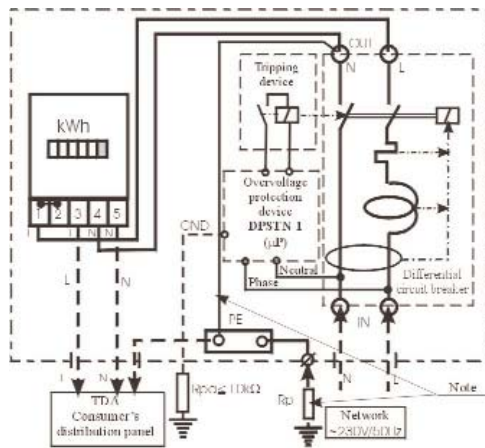
# DISTRIBUTION & MEASUREMENT EQUIPMENT FOR LOW VOLTAGE NETWORK

## Constructive Versions

Version	Equipment	Protections
RS 80942 ST 3	<ul style="list-style-type: none"> <li>- automatic fuse (differential) breaker 6...40A/ 300mA</li> <li>- device for protection against overvoltage and neutral break with signalling, DPSTN-1 type, code: RS 80770A2 and tripping relay, code: Z7-ASA24</li> <li>- meter RS 80941</li> </ul>	<ul style="list-style-type: none"> <li>- overcurrent</li> <li>- short-circuit</li> <li>- fault (residual) current</li> <li>- overvoltage with signalling</li> <li>- neutral break (residual voltage) with signalling</li> </ul>
RS 80942 A	<ul style="list-style-type: none"> <li>- automatic fuse (differential) breaker 6...40A/ 300mA</li> <li>- device for protection against overvoltage without signalling, DPS type, code: RS 80770B</li> <li>- meter RS 80941</li> </ul>	<ul style="list-style-type: none"> <li>- overcurrent</li> <li>- short-circuit</li> <li>- residual current</li> <li>- overvoltage without signalling</li> </ul>
RS 80942 B	<ul style="list-style-type: none"> <li>- automatic breaker 6...40A</li> <li>- meter RS 80941</li> </ul>	<ul style="list-style-type: none"> <li>- overcurrent</li> <li>- short-circuit</li> </ul>
RS 80942 C	<ul style="list-style-type: none"> <li>- automatic breaker 6...40A</li> <li>- device for protection against overvoltage and neutral break with signalling, DPSTN-1 type, code: RS 80770A2 and tripping relay, code: Z7-ASA24</li> <li>- meter RS 80941</li> </ul>	<ul style="list-style-type: none"> <li>- overcurrent</li> <li>- short-circuit</li> <li>- overvoltage with signalling</li> <li>- neutral break (residual voltage) with signalling</li> </ul>

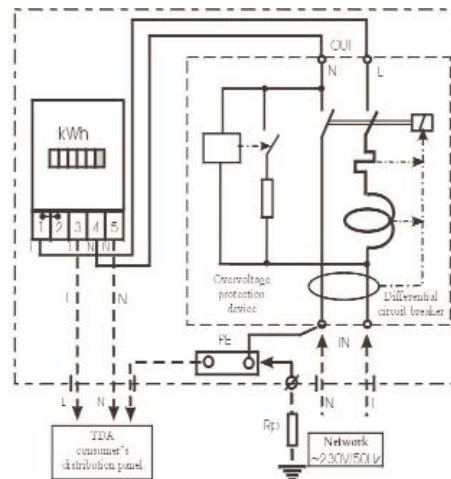
**Note:** in case of equipment with meter for the rated voltage of 120V the overvoltage protection devices of A, B, C versions will be also at 120V.

## ELECTRIC DIAGRAMS

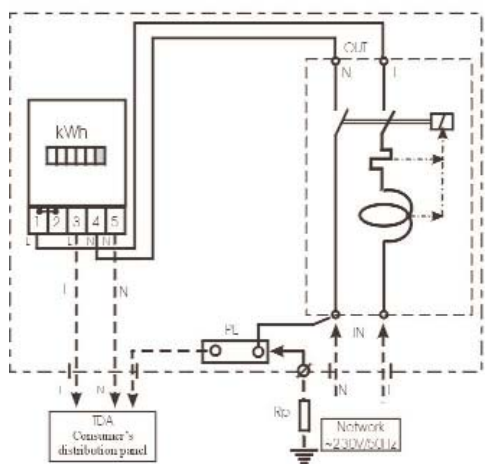


Note: In case there is an individual ground socket of consumer (Rp) the connection between neutral and PE breaker should be removed

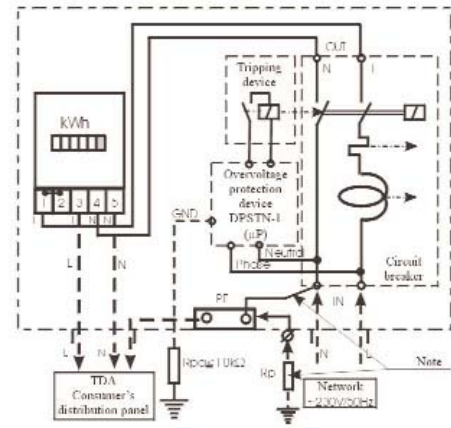
Electric diagrams RS 80942



Electric diagrams RS 80942 A



Electric diagrams RS 80942 B



Note: In case there is an individual ground socket of consumer (Rp) the connection between neutral and PE breaker should be removed

Electric diagrams RS 80942 C